

Battery Powered Shades by Creation Baumann

The stunning Ecotricl & II combines the world leading fabric manufacturer Creation Baumann with the latest technology available.

Two system sizes -Capable of furnishing windows up to 3m squared

Easy to install -Shades install and operate without wires

Low maintenance -Batteries last 4-7 years and can be replaced without taking the shade down

Fashionable aesthetics-Choose from a wide variety of fabric colours and textures

Cordless design -A safe solution for homes with children or pets

Up to 7 year battery life

Ultra quiet operation

Built in wireless communication

Fashionable aesthetics

Maximum dimensions 2450mm x 2600mm

Up to 7 year battery life

Ultra quiet operation

Built in wireless communication

Fashionable aesthetics

Maximum dimensions 3000mm x 3000mm



App Control

Control the shades via smartphone or tablet
Easy to program via tutorial



Wireless extenders

Option to amplify signal
Echoes any command from Ecotric remote
Ideal for large spaces or rooms with a non standard layout

Remote control

Operate a single or multiple shades via hand held remote
Wall mounted wireless switches available Simple setup to use immediately



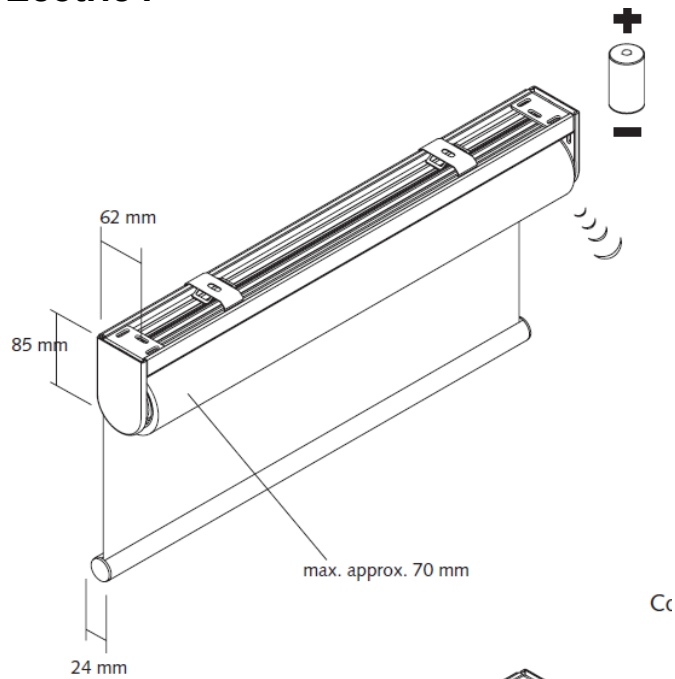
Home management system integration

Offers dry contact, RS232 and RS485 protocols
Ideal and simple for 3rdparty system integration

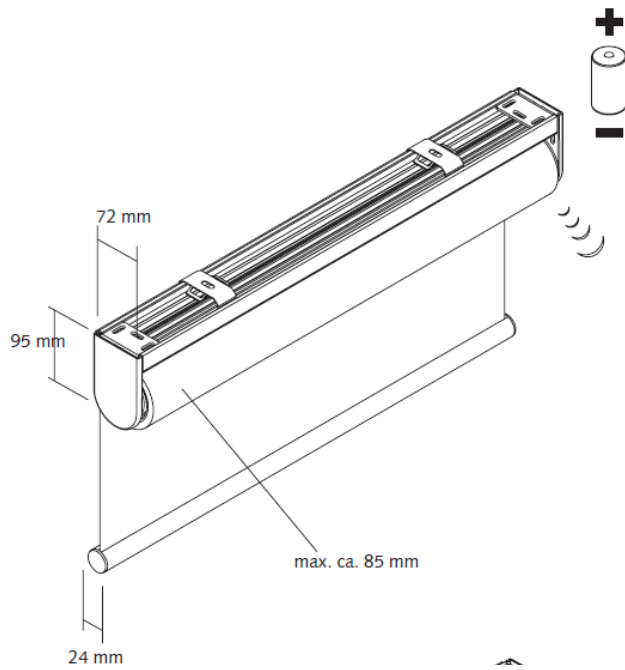
Battery Powered Shades by Creation Baumann

Specification

Ecotric I



Ecotric II



Features:

- 4 –7 Year battery life based on two up and down movements per day
- Easy installation and maintenance
- Built in wireless communication
- Integrated battery compartment

Ratings:

- Operating Voltage: 6-9V
- DC Motor, 24 volt control system
- Integral slip clutch

Environment:

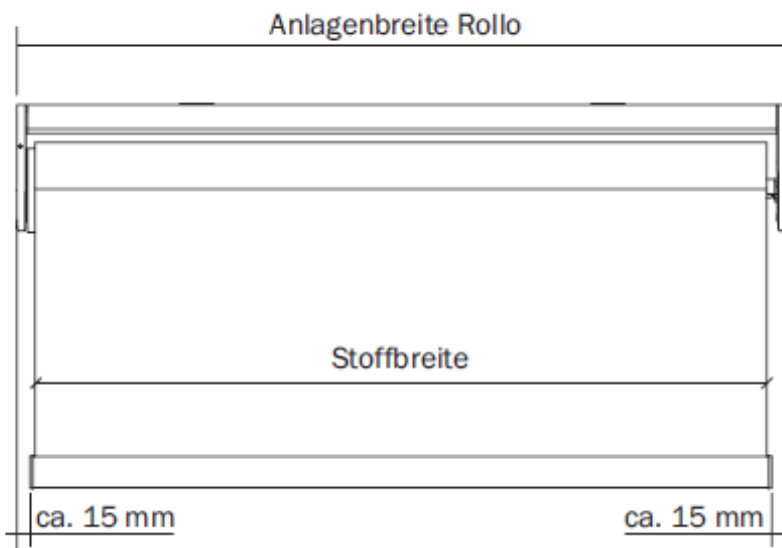
- Temperature 0°C to 40°C
- For indoor use only
- Relative Humidity \leq 90% Non condensing

System Dimensions: EcotricI

- Shade Width Minimum 600mm
- Shade Width Maximum 2450mm
- Shade Height Minimum 305mm
- Shade Height Maximum 2600mm

System Dimensions: EcotricII

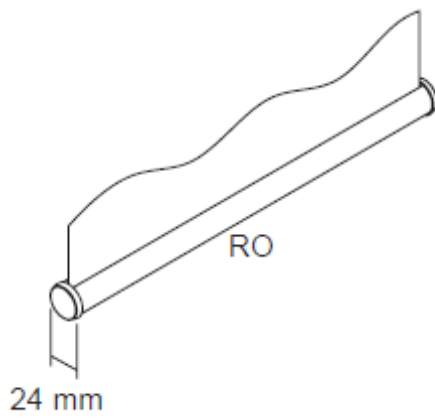
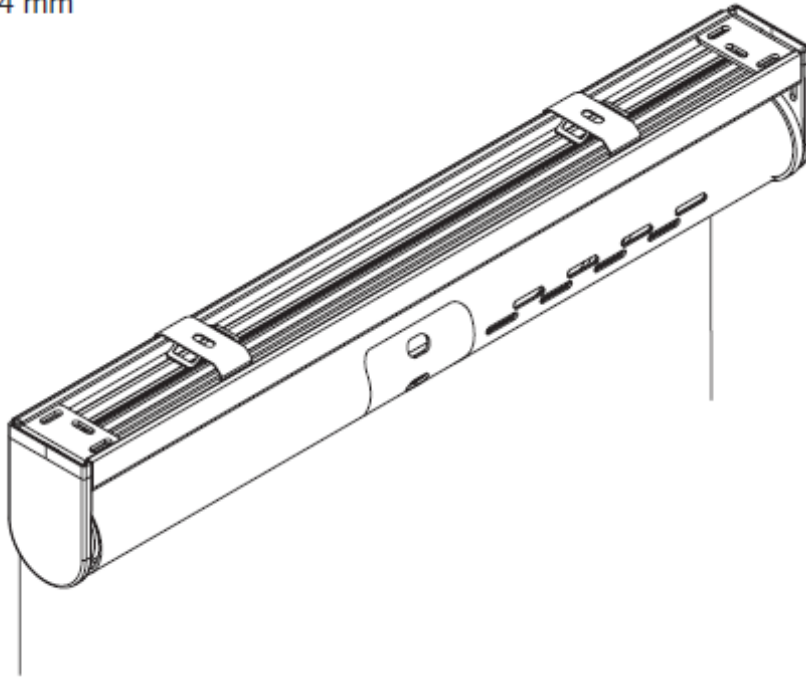
- Shade Width Minimum 600mm
- Shade Width Maximum 3000mm
- Shade Height Minimum 305mm
- Shade Height Maximum 3000mm



Features:

- Consistent 15mm fabric gaps

24 mm



Features: Aluminum bottom bar available in silver and white. Custom colour POA
Features: Integral Batteries in shade tube

